



M12

Vertical electric tug

M12

Z178.720



5,0 km/h



1.500 kg



15 %

- For loads up to 1.500 kg.
- Versatile and compact.
- Interchangeable battery packs.
- 5-levels speed adjustment.
- Wide range of accessories and connections.
- Optional remote control driving.

👁 **Front View**



👁 **Side View**



👁 **Rear View**





	TABLE: Z178.720	M12	Unit: mm [inch]
--	---------------------------	-----	------------------------

Main sectors



AUTOMOTIVE
INDUSTRY



METALLURGICAL
AND TURNING
INDUSTRY



RAILWAY
INDUSTRY



GLASS
INDUSTRY



TEXTILE
INDUSTRY



INDUSTRIAL
MAINTENANCE



LAUNDRIES AND
MULTISERVICE
COMPANIES



FOOD INDUSTRY



AIRPORTS

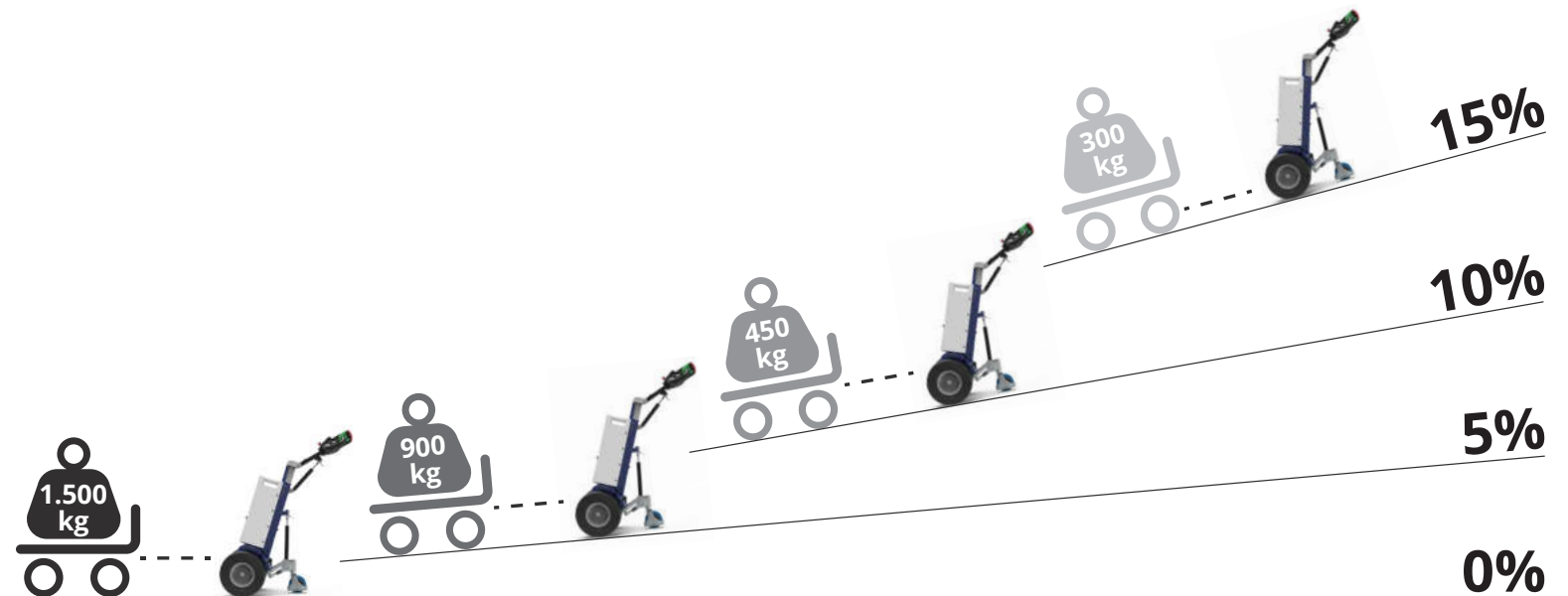


HOSPITALS

Performances on slopes

While the force expressed in N at the hook remains unchanged, the following circumstances **may affect the towing capacity expressed in kg:**

- **type of ground** on which the towing is performed;
- towing on **flat ground or on a slope**;
- use (or not) of **ballasts**;
- **type of wheels** mounted on the vehicle and on the trailer.



5 levels speed adjustment

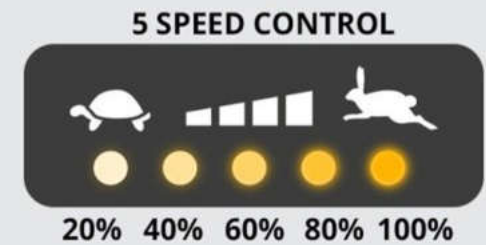
On the new M12 tillerhead by Zallys is mounted **as standard** a button for the adjustment of the speed of the machine. By clicking it, at each click you switch to the next level. This allows a fast and easy selection of the correct speed based on the kind of manoeuvre. **The Flex-to-Go system** has been studied to give a better maneuverability in confined spaces and more speed on the longer journeys.

Each click adds **20% more speed**.

Speed ramp:

20% - 40% - 60% - 80% - 100%

Once the maximum speed is reached, by pressing the button again it returns to 20%.



Ergonomic driving

Zallys' tillerhead has been conceived and produced to make the use of the machine more ergonomic for the operator, guaranteeing the right **comfort while driving during the work shift**. Its **ergonomic design** allows to have **all the driving controls at your fingertips**, the display with the battery charge level and the power key for an easy and fast ignition. The **structure** is made of **resistant materials** in case of accidental bumps.

Power key

5 speed selection

Anti-crush reverse button



Dashboard

Acoustic alarm

Maintained action drive controls



The right wheels for every need

JACK mounts **pneumatic wheels** as standard, suitable for both indoor and outdoor use, and guarantee the maximum grip and a very low level of vibrations. Moreover, they are really resistant and offer exceptional performances on every terrain. On request it is possible to put on a different kind of wheels, such as **Tractor wheels** for irregular or uneven terrains, or the **“non-marking superelastic” wheels**, for delicate floorings.

Interchangeable battery packs 24/7



33Ah - AGM

45Ah - AGM

40Ah - Litio

Battery packs are lightweight and easily **interchangeable** in order to cover several work shifts: when one is discharged you can put it in charge and immediately replace it with a fully charged one. This way, the machine is always operating! Moreover, **different amperages** are available according to your needs: 33Ah, 45Ah AGM or 40Ah Lithium



Modular ballast system

Zallys modular system guarantees **maximum flexibility** on increasing the vehicle's performances. With just **4 kg unit weight**, single ballasts are lightweight and can be equipped **without physical effort by the operator**, while maintaining all their effectiveness.

STANDARD HITCH



BALL/PIN
HITCH



DROP PIN
HITCH



ELECTRIC
CLAMP HITCH



HEIGHT ADJUSTABLE PLATE
ELECTRIC CONTROLLED



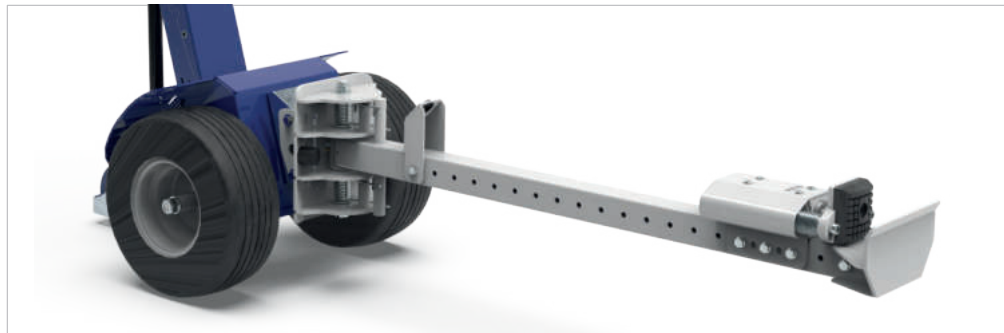
HITCH FOR
TRASH BINS



ADJUSTABLE HITCH
FOR ROLL BOX



LED STROBE LIGHT



HYDRAULIC
CLAMP HITCH



Examples of applications

on various production sectors



AUTOMOTIVE INDUSTRY

Zallys
... the passion for moving





METALLURGICAL INDUSTRY

Zallys
the passion for moving





RAILWAY INDUSTRY

Zollys
... the passion for moving



GLASS INDUSTRY

Zollis
... the passion for moving





TEXTILE INDUSTRY

Zolllys
... the passion for moving





INDUSTRIAL MAINTENANCE

Zallys®
the passion for moving





LAUNDRIES AND MULTISERVICE

Zallys
... the passion for moving





FOOD INDUSTRY

Zollis
... the passion for moving



HOSPITALS

Zollis
... the passion for moving





• • • the passion for moving

Zallys srl srl - Via Palazzina 1, Sarcedo
36030 (VI) - Italia

Contacts:

sales@zallys.com
+39 0445 366785

Web site:

www.zallys.com



A close-up photograph of a blue plastic component, likely a handle or part of a moving cart. The word 'Zallys' is embossed into the plastic in a raised, three-dimensional font, matching the brand's logo.