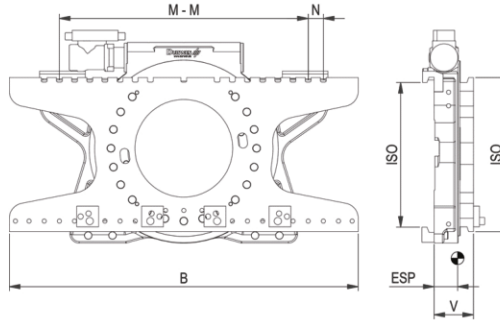


# 360° rotator

**DG**

The rotator **DG** has a cast steel frame enabling compact design. The worm gear has several teeth meshing at one time thus helping to increase the service life of the attachment. A seal fitted as standard protects the rotator against the ingress of dirt and dust.

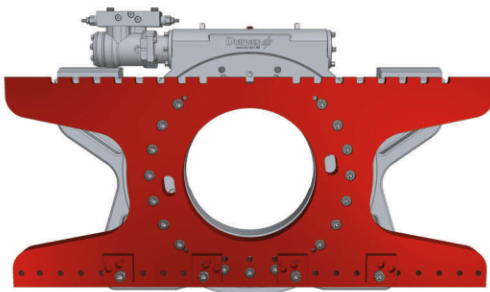


type	capacity kg LC mm	lift truck to LC mm	ISO	width B mm	centre distance M-M mm	N mm	max. torque $\Delta P$ 130 bar Nm	V LLC mm	ESP COG mm	weight kg
DG 16	1600/500	1,5-1,8/500	II	880	260-660	50	5200	117	51	217
DG 20	2000/500	2,0/500	II	980	260-760	50	5200	117	52	223
DG 25	2500/600	2,5/600	II	1080	260-860	50	9400	120	53	269
DG 30	3000/500	3,0/500	III	1150	320-920	50	9400	130	61	316
DG 35	3500/500	3,0/600- 3,5/500	III	1150	320-920	50	11700	135	65	331
DG 40	4000/500	3,5/600-4,0/500	III	1150	310-910	50	14000	148	66	455
DG 45	5000/600	4,0-5,0/600	III	1350	310-1110	50	14000	148	69	471
DG 50	5000/600	5,0/600	IV	1380	310-1110	50	14000	153	76	545
DG 60	6000/600	6,0/600	IV	1500	310-1210	50	22000	155	73	706
DG 80	8000/600	7,0-8,0/600	IV	1750	380-1480	50	22000	165	80	763
DG 100	8000/900	8,0/900	IV	1750	380-1480	50	26000	178	84	860
DG 120	12000/600	8,0/1100- 12,0/600	IV	1850	380-1580	50	26000	178	87	920
DG 160	16000/600	14,0/600- 16,0/600	Pin	2400	bolt-on	100	52000	266	140	3700
DG 200	20000/600	18,0/600- 20,0/600	Pin	2400	bolt-on	100	52000	271	143	3795
DG 240	24000/600 16000/900	16,0/1200	Pin	2400	bolt-on	100	52000	276	148	3860

- 1 hydraulic function required
- includes hoses and couplings

- safety valve as standard
- quick release hooks: (ISO II, III, IV) upon request

- forks not included
- hook-on forks reinforced for rotator use must be used
- options see page 235, 238



**DURWEN**  
Forklift Attachments

More than 75 years experience